

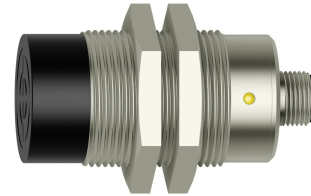
# PAS 308 414 S

Inductive Proximity Sensors

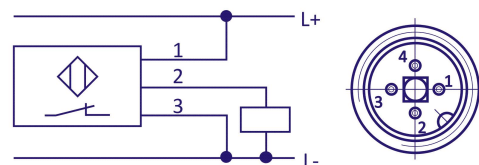
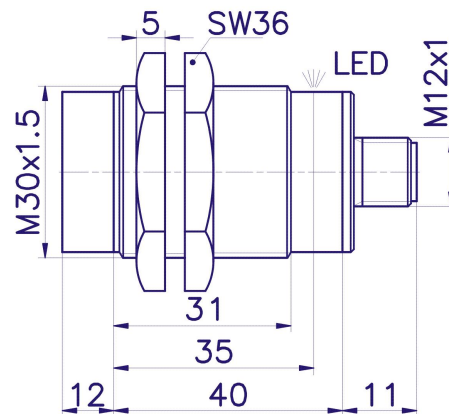
## Product image

### Technical parameters

<b>Nominal Sensing Distance</b> <b>Sn</b> 15 mm	<b>Effective Sensing Distance</b> <b>Sr</b> 12 - 18 mm
<b>Housing Dimensions</b> M30	<b>Mounting</b> Non-Flush
<b>Hysteresis</b> (0,1 -0,15) x Sn	<b>Nominal Voltage Un</b> 24 VDC
<b>Supply Voltage Uc</b> 10 - 30 VDC	<b>Supply Current Ic</b> < 10 mA
<b>Output Current Iz</b> ≤ 200 mA	<b>Switching Frequency</b> 20 Hz
<b>Short-Circuit Protection</b> Yes	<b>Polarity Reversal Protection</b> Yes
<b>Output Type</b> PNP nc	<b>Housing Material</b> Nickel Plated Brass
<b>Ambient Temperature Range</b> <b>T</b> -25°C...+70°C	<b>Target Presence Indicator</b> LED
<b>Output Type</b> Connector M12	<b>Protection Standard</b> IP 67



### Dimensions



### Company Head Office Telephone

PLOS KON AT s.r.o. +421 / (0)51 7732 836  
 Jesenná 1 +421 / (0)51 7731 003  
 080 01 Prešov  
 Slovak Republic

### E-mail

obchod@ploskon.sk

### Website

www.ploskon.sk

### Billing information

PLOS KON AT s.r.o.  
 IČO:36483354  
 DIČ:2020009860