

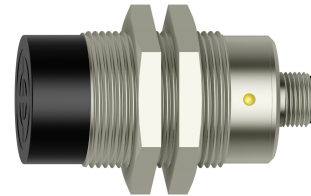
# PAS 308 413 F

Inductive Proximity Sensors

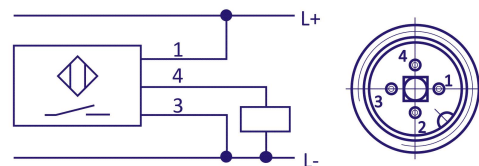
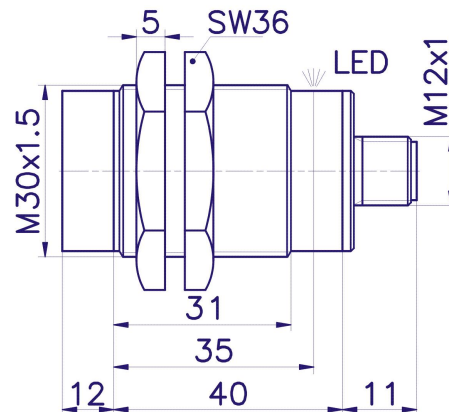
Product image

## Technical parameters

<b>Nominal Sensing Distance Sn</b> 15 mm	<b>Effective Sensing Distance Sr</b> 12 – 18 mm
<b>Housing Dimensions</b> M30	<b>Mounting</b> Non-Flush
<b>Hysteresis</b> (0,1 -0,15) x Sn	<b>Nominal Voltage Un</b> 24 VDC
<b>Supply Voltage Uc</b> 10 – 30 VDC	<b>Supply Current Ic</b> < 10 mA
<b>Output Current Iz</b> ? 200 mA	<b>Switching Frequency</b> 400 Hz
<b>Short-Circuit Protection</b> Yes	<b>Polarity Reversal Protection</b> Yes
<b>Output Type</b> PNP no	<b>Housing Material</b> Nickel Plated Brass
<b>Ambient Temperature Range T</b> -25°C...+70°C	<b>Target Presence Indicator</b> LED
<b>Output Type</b> Connector M12	<b>Protection Standard</b> IP 67



Dimensions



### Company Head Office

PLOSKON AT s.r.o.  
Jesenná 1  
080 01 Prešov  
Slovak Republic

### Telephone

+421 / (0)51 7732 836  
+421 / (0)51 7731 003

### E-mail

obchod@ploskon.sk

### Website

www.ploskon.sk

### Billing information

PLOSKON AT s.r.o.  
I?O:36483354  
DI?:2020009860