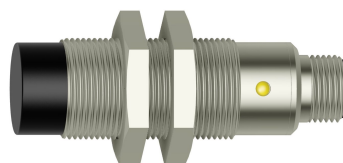


# PAS 188 414 F

Inductive Proximity Sensors

Product image



## Technical parameters

**Nominal Sensing Distance  $S_n$**   
8 mm

**Effective Sensing Distance  $S_r$**   
6 – 10 mm

**Housing Dimensions**  
M18

**Mounting**  
Non-Flush

**Hysteresis**  
(0,1 -0,15) x  $S_n$

**Nominal Voltage  $U_n$**   
24 VDC

**Supply Voltage  $U_c$**   
10 – 30 VDC

**Supply Current  $I_c$**   
< 10 mA

**Output Current  $I_z$**   
? 200 mA

**Switching Frequency**  
500 Hz

**Short-Circuit Protection**  
Yes

**Polarity Reversal Protection**  
Yes

**Output Type**  
PNP nc

**Housing Material**  
Nickel Plated Brass

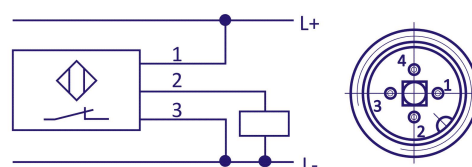
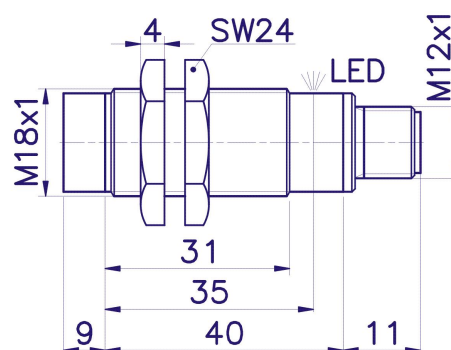
**Ambient Temperature Range T**  
-25°C...+70°C

**Target Presence Indicator**  
LED

**Output Type**  
Connector M12

**Protection Standard**  
IP 67

Dimensions



## Company Head Office

PLOSKON AT s.r.o.  
Jesenná 1  
080 01 Prešov  
Slovak Republic

## Telephone

+421 / (0)51 7732 836  
+421 / (0)51 7731 003

## E-mail

obchod@ploskon.sk

## Website

www.ploskon.sk

## Billing information

PLOSKON AT s.r.o.  
I?O:36483354  
DI?:2020009860