

PSI 186 313 F

Inductive Proximity Sensors

Technical parameters

Nominal Sensing Distance Sn

5 mm

Effective Sensing Distance Sr

4 - 6 mm

Housing Dimensions

M18

Mounting

Flush

Hysteresis

(0,1 -0,15) x Sn

Nominal Voltage Un

24 VDC

Supply Voltage Uc

10 - 30 VDC

Supply Current Ic

< 10 mA

Output Current Iz

≤ 200 mA

Switching Frequency

1 kHz

Short-Circuit Protection

Yes

Polarity Reversal Protection

Yes

Output Type

PNP no

Housing Material

Nickel Plated Brass

Ambient Temperature Range T

-25°C...+70°C

Target Presence Indicator

LED

Output Type

Cable PVC 3 x 0,25 mm²

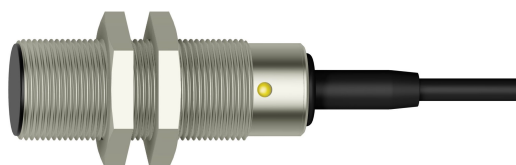
Cable Length

2 m

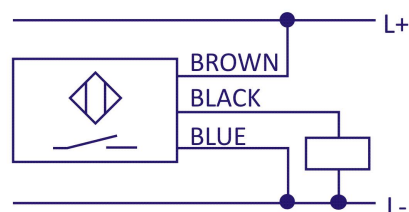
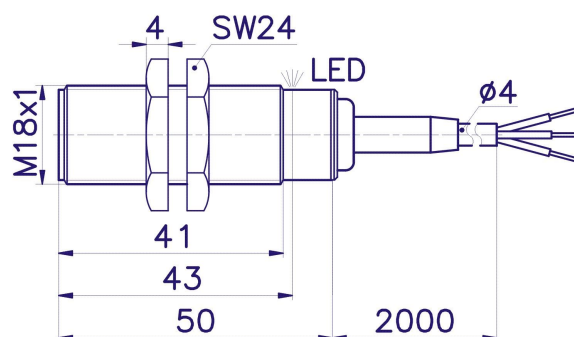
Protection Standard

IP 68

Product image



Dimensions



Company Head Office Telephone

PLOSKON AT s.r.o.
Jesenná 1
080 01 Prešov
Slovak Republic

+421 / (0)51 7732 836
+421 / (0)51 7731 003

E-mail

obchod@ploskon.sk

Website

www.ploskon.sk

Billing information

PLOSKON AT s.r.o.
IČO:36483354
DIČ:2020009860