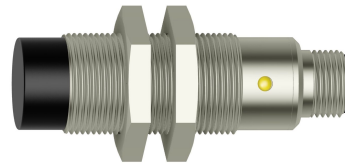


PAS 188 413 S

Inductive Proximity Sensors

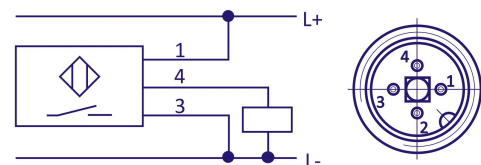
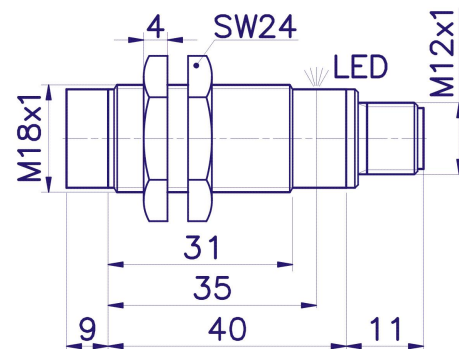
Product image



Technical parameters

Nominal Sensing Distance Sn 8 mm	Effective Sensing Distance Sr 6 – 10 mm
Housing Dimensions M18	Mounting Non-Flush
Hysteresis (0,1 -0,15) x Sn	Nominal Voltage Un 24 VDC
Supply Voltage Uc 10 – 30 VDC	Supply Current Ic < 10 mA
Output Current Iz ? 200 mA	Switching Frequency 20 Hz
Short-Circuit Protection Yes	Polarity Reversal Protection Yes
Output Type PNP no	Housing Material Nickel Plated Brass
Ambient Temperature Range T -25°C...+70°C	Target Presence Indicator LED
Output Type Connector M12	Protection Standard IP 67

Dimensions



Company Head Office

PLOSKON AT s.r.o.
Jesenná 1
080 01 Prešov
Slovak Republic

Telephone

+421 / (0)51 7732 836
+421 / (0)51 7731 003

E-mail

obchod@ploskon.sk

Website

www.ploskon.sk

Billing information

PLOSKON AT s.r.o.
I?O:36483354
DI?:2020009860