

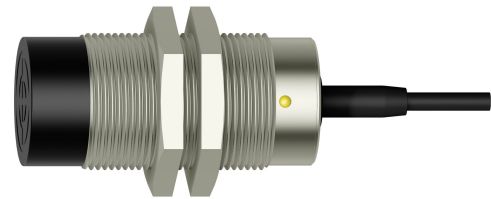
PDI 308 316

Inductive Sensors with Double Switching Distance

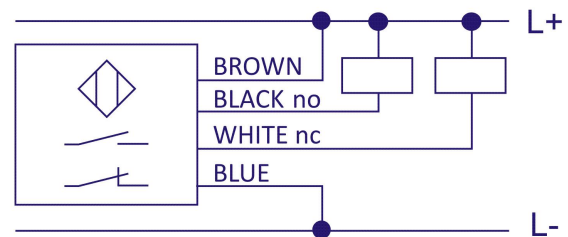
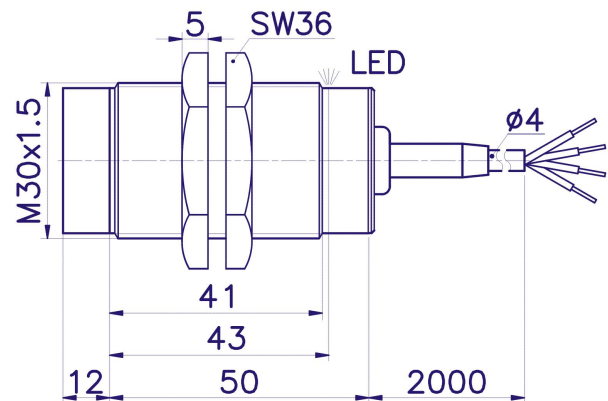
Product image

Technical parameters

Nominal Sensing Distance Sn 30 mm	Effective Sensing Distance Sr 24 - 36 mm
Housing Dimensions M30	Mounting Non-Flush
Hysteresis (0,1 -0,15) x Sn	Nominal Voltage Un 24 VDC
Supply Voltage Uc 10 - 30 VDC	Supply Current Ic < 10 mA
Output Current Iz ≤ 200 mA	Switching Frequency 50 Hz
Short-Circuit Protection Yes	Polarity Reversal Protection Yes
Output Type PNP no	Housing Material Nickel Plated Brass
Ambient Temperature Range T -25°C...+70°C	Target Presence Indicator LED
Output Type Cable PVC 4 x 0,25 mm ²	Cable Length 2 m
Protection Standard IP 68	



Dimensions



Company Head Office Telephone

PLOSKON AT s.r.o. +421 / (0)51 7732 836
Jesenná 1 +421 / (0)51 7731 003
080 01 Prešov
Slovak Republic

E-mail

obchod@ploskon.sk

Website

www.ploskon.sk

Billing information

PLOSKON AT s.r.o.
IČO:36483354
DIČ:2020009860