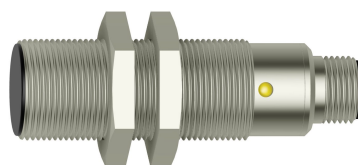


PDI 186 416

Inductive Proximity Sensors

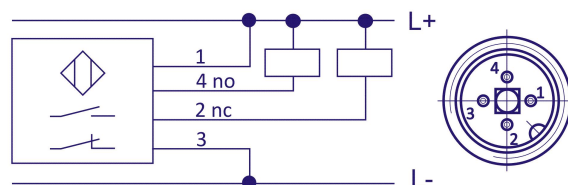
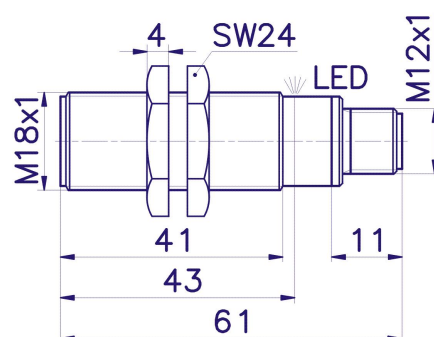
Product image



Technical parameters

Nominal Sensing Distance Sn 10 mm	Effective Sensing Distance Sr 8 - 12 mm
Housing Dimensions M18	Mounting Flush
Hysteresis (0,1 -0,15) x Sn	Nominal Voltage Un 24 VDC
Supply Voltage Uc 10 - 30 VDC	Supply Current Ic < 10 mA
Output Current Iz ≤ 200 mA	Switching Frequency 200 Hz
Short-Circuit Protection Yes	Polarity Reversal Protection Yes
Output Type PNP no	Housing Material Nickel Plated Brass
Ambient Temperature Range T -25°C...+70°C	Target Presence Indicator LED
Output Type Connector M12	Protection Standard IP 67

Dimensions



Company Head Office Telephone

PLOSKON AT s.r.o. +421 / (0)51 7732 836
 Jesenná 1 +421 / (0)51 7731 003
 080 01 Prešov
 Slovak Republic

E-mail

obchod@ploskon.sk

Website

www.ploskon.sk

Billing information

PLOSKON AT s.r.o.
 IČO:36483354
 DIČ:2020009860