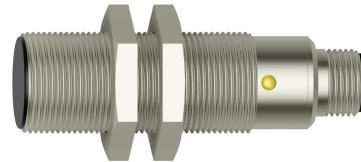


# PDI 186 412

Inductive Proximity Sensors

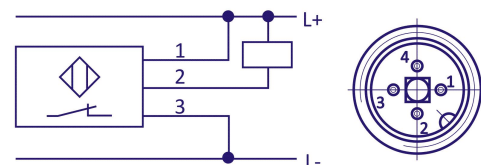
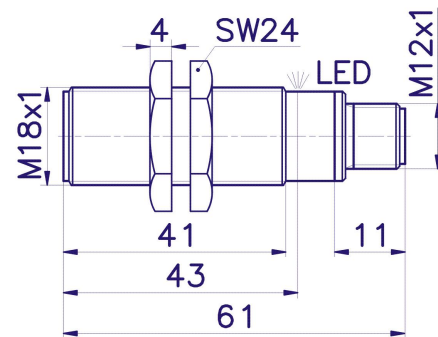
## Product image



## Technical parameters

<b>Nominal Sensing Distance</b> <b>Sn</b> 10 mm	<b>Effective Sensing Distance</b> <b>Sr</b> 8 - 12 mm
<b>Housing Dimensions</b> M18	<b>Mounting</b> Flush
<b>Hysteresis</b> (0,1 -0,15) x Sn	<b>Nominal Voltage Un</b> 24 VDC
<b>Supply Voltage Uc</b> 10 - 30 VDC	<b>Supply Current Ic</b> < 10 mA
<b>Output Current Iz</b> ≤ 200 mA	<b>Switching Frequency</b> 200 Hz
<b>Short-Circuit Protection</b> Yes	<b>Polarity Reversal Protection</b> Yes
<b>Output Type</b> NPN nc	<b>Housing Material</b> Nickel Plated Brass
<b>Ambient Temperature Range</b> <b>T</b> -25°C...+70°C	<b>Target Presence Indicator</b> LED
<b>Output Type</b> Connector M12	<b>Protection Standard</b> IP 67

## Dimensions



## Company Head Office Telephone

PLOSKON AT s.r.o.  
Jesenná 1  
080 01 Prešov  
Slovak Republic

+421 / (0)51 7732 836  
+421 / (0)51 7731 003

## E-mail

obchod@ploskon.sk

## Website

www.ploskon.sk

## Billing information

PLOSKON AT s.r.o.  
IČO:36483354  
DIČ:2020009860