

# PSI 128 315 F

Inductive Proximity Sensors

## Technical parameters

**Nominal Sensing Distance  $S_n$**   
3,5 mm

**Effective Sensing Distance  $S_r$**   
3 – 4 mm

**Housing Dimensions**  
M12

**Mounting**  
Non-Flush

**Hysteresis**  
(0,1 -0,15) x  $S_n$

**Nominal Voltage  $U_n$**   
24 VDC

**Supply Voltage  $U_c$**   
10 – 30 VDC

**Supply Current  $I_c$**   
< 10 mA

**Output Current  $I_z$**   
? 200 mA

**Switching Frequency**  
1 kHz

**Short-Circuit Protection**  
Yes

**Polarity Reversal Protection**  
Yes

**Output Type**  
NPN no&nc

**Housing Material**  
Nickel Plated Brass

**Ambient Temperature Range  $T$**   
-25°C...+70°C

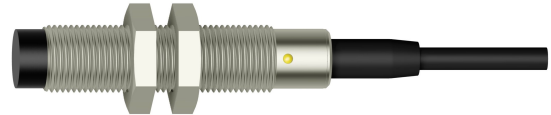
**Target Presence Indicator**  
LED

**Output Type**  
Cable PVC 4 x 0,25 mm<sup>2</sup>

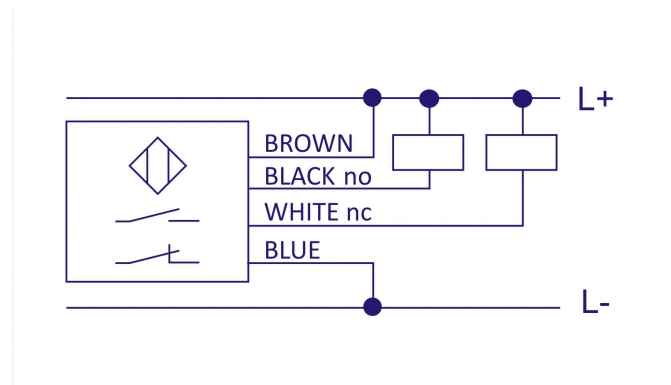
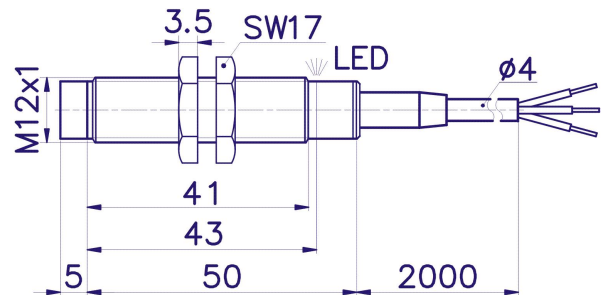
**Cable Length**  
2 m

**Protection Standard**  
IP 68

## Product image



## Dimensions



**Company Head Office**  
PLOSKON AT s.r.o.  
Jesenná 1  
080 01 Prešov  
Slovak Republic

**Telephone**  
+421 / (0)51 7732 836  
+421 / (0)51 7731 003

**E-mail**  
obchod@ploskon.sk

**Website**  
www.ploskon.sk

**Billing information**  
PLOSKON AT s.r.o.  
I?O:36483354  
DI?:2020009860