

PSI 308 311 F

Inductive Proximity Sensors

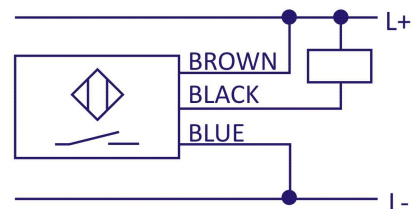
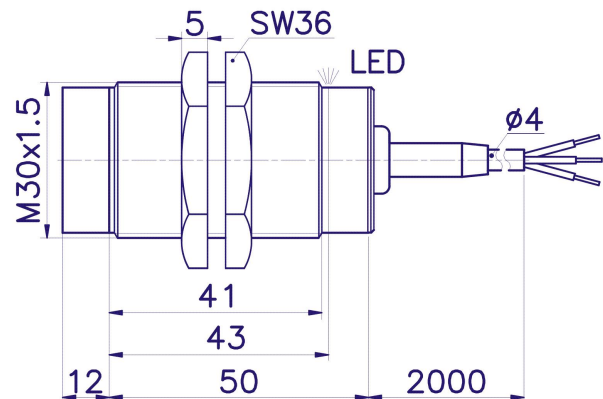
Product image

Technical parameters

| | |
|--|--|
| Nominal Sensing Distance Sn 15 mm | Effective Sensing Distance Sr 12 – 18 mm |
| Housing Dimensions M30 | Mounting Non-Flush |
| Hysteresis (0,1 -0,15) x Sn | Nominal Voltage Un 24 VDC |
| Supply Voltage Uc 10 – 30 VDC | Supply Current Ic < 10 mA |
| Output Current Iz ? 200 mA | Switching Frequency 400 Hz |
| Short-Circuit Protection Yes | Polarity Reversal Protection Yes |
| Output Type NPN no | Housing Material Nickel Plated Brass |
| Ambient Temperature Range T -25°C...+70°C | Target Presence Indicator LED |
| Output Type Cable PVC 3 x 0,25 mm ² | Cable Length 2 m |
| Protection Standard IP 68 | |



Dimensions



Company Head Office
PLOSKON AT s.r.o.
Jesenná 1
080 01 Prešov
Slovak Republic

Telephone
+421 / (0)51 7732 836
+421 / (0)51 7731 003

E-mail
obchod@ploskon.sk

Website
www.ploskon.sk

Billing information
PLOSKON AT s.r.o.
I?O:36483354
DI?:2020009860