

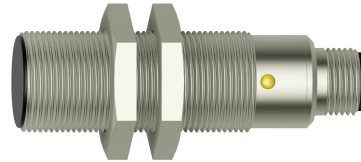
PDI 186 411 S

Inductive Proximity Sensors

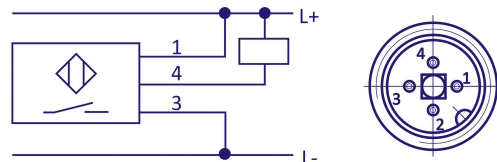
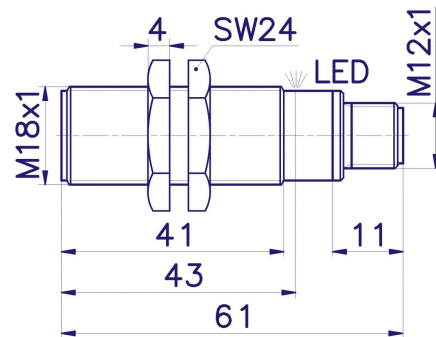
Technical parameters

Nominal Sensing Distance S_n 10 mm	Effective Sensing Distance S_r 8 – 12 mm
Housing Dimensions M18	Mounting Flush
Hysteresis (0,1 -0,15) x S_n	Nominal Voltage U_n 24 VDC
Supply Voltage U_c 10 – 30 VDC	Supply Current I_c < 10 mA
Output Current I_z ? 200 mA	Switching Frequency 20 Hz
Short-Circuit Protection Yes	Polarity Reversal Protection Yes
Output Type NPN no	Housing Material Nickel Plated Brass
Ambient Temperature Range T -25°C...+70°C	Target Presence Indicator LED
Output Type Connector M12	Protection Standard IP 67

Product image



Dimensions



Company Head Office

PLOSKON AT s.r.o.
Jesenná 1
080 01 Prešov
Slovak Republic

Telephone

+421 / (0)51 7732 836
+421 / (0)51 7731 003

E-mail

obchod@ploskon.sk

Website

www.ploskon.sk

Billing information

PLOSKON AT s.r.o.
I?O:36483354
DI?:2020009860