

PDI 186 415

Inductive Proximity Sensors

Technical parameters

Nominal Sensing Distance S_n
10 mm

Effective Sensing Distance S_r
8 – 12 mm

Housing Dimensions
M18

Mounting
Flush

Hysteresis
(0,1 -0,15) x S_n

Nominal Voltage U_n
24 VDC

Supply Voltage U_c
10 – 30 VDC

Supply Current I_c
< 10 mA

Output Current I_z
? 200 mA

Switching Frequency
200 Hz

Short-Circuit Protection
Yes

Polarity Reversal Protection
Yes

Output Type
NPN no

Housing Material
Nickel Plated Brass

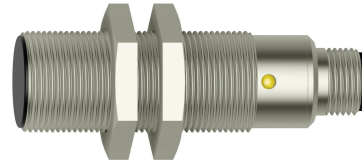
Ambient Temperature Range T
-25°C...+70°C

Target Presence Indicator
LED

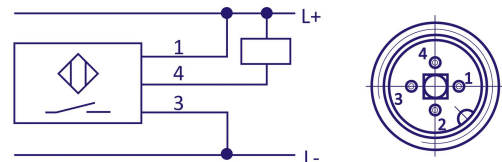
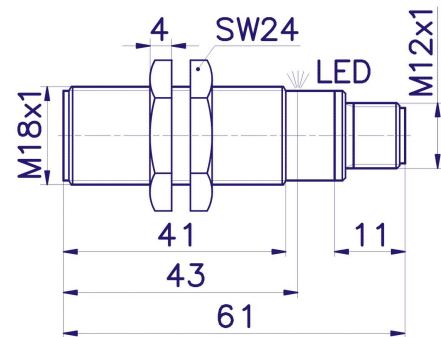
Output Type
Connector M12

Protection Standard
IP 67

Product image



Dimensions



Company Head Office

PLOSKON AT s.r.o.
Jesenná 1
080 01 Prešov
Slovak Republic

Telephone

+421 / (0)51 7732 836
+421 / (0)51 7731 003

E-mail

obchod@ploskon.sk

Website

www.ploskon.sk

Billing information

PLOSKON AT s.r.o.
I?O:36483354
DI?:2020009860