

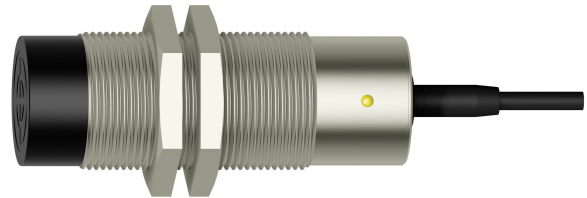
PSI 308 369

Inductive Proximity Sensors

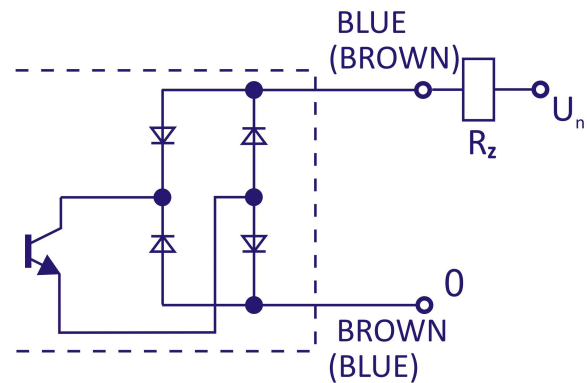
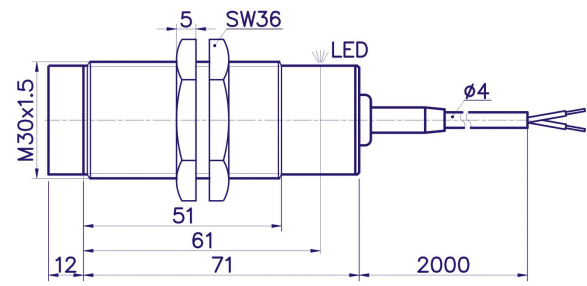
Technical parameters

Nominal Sensing Distance Sn 15 mm	Effective Sensing Distance Sr 12 – 18 mm
Housing Dimensions M30	Mounting Non-Flush
Hysteresis (0,1 -0,15) x Sn	Nominal Voltage Un 230 VAC
Supply Voltage Uc 20 – 250 VAC	Switching Frequency 20 Hz
Short-Circuit Protection Yes	Polarity Reversal Protection Yes
Output Type Normally Open	Housing Material Nickel Plated Brass
Ambient Temperature Range T -25°C...+70°C	Target Presence Indicator LED
Output Type Cable PVC 2 x 0,25 mm ²	Cable Length 2 m
Protection Standard IP 68	

Product image



Dimensions



Company Head Office

PLOSKON AT s.r.o.
Jesenná 1
080 01 Prešov
Slovak Republic

Telephone

+421 / (0)51 7732 836
+421 / (0)51 7731 003

E-mail

obchod@ploskon.sk

Website

www.ploskon.sk

Billing information

PLOSKON AT s.r.o.
I?O:36483354
DI?:2020009860