

PSI 186 369

Inductive Proximity Sensors

Technical parameters

Nominal Sensing Distance S_n
5 mm

Effective Sensing Distance S_r
4 – 6 mm

Housing Dimensions
M18

Mounting
Flush

Hysteresis
(0,1 -0,15) x S_n

Nominal Voltage U_n
230 VAC

Supply Voltage U_c
20 – 250 VAC

Switching Frequency
20 Hz

Short-Circuit Protection
Yes

Polarity Reversal Protection
Yes

Output Type
Normally Open

Housing Material
Nickel Plated Brass

Ambient Temperature Range T
-25°C...+70°C

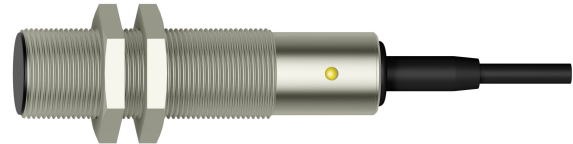
Target Presence Indicator
LED

Output Type
Cable PVC 2 x 0,25 mm²

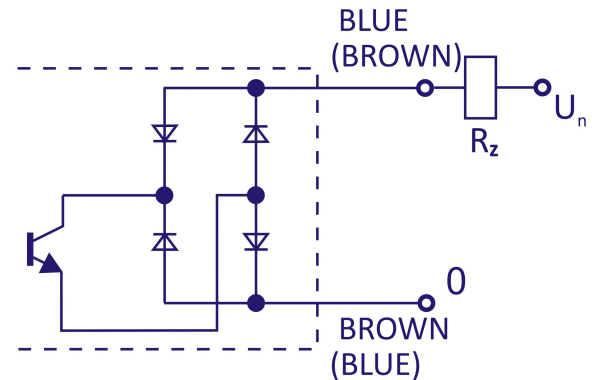
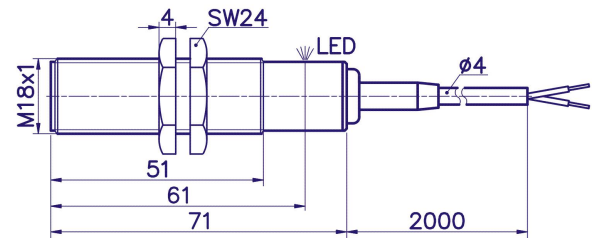
Cable Length
2 m

Protection Standard
IP 68

Product image



Dimensions



Company Head Office
PLOSKON AT s.r.o.
Jesenná 1
080 01 Prešov
Slovak Republic

Telephone
+421 / (0)51 7732 836
+421 / (0)51 7731 003

E-mail
obchod@ploskon.sk

Website
www.ploskon.sk

Billing information
PLOSKON AT s.r.o.
I?O:36483354
DI?:2020009860